

THE DESKTOP ENGINEER

A COMPUTERIZED HANDBOOK

THE DESKTOP ENGINEER is a computerized handbook developed by **Desktop Engineering Int'l Inc.**, designed for Engineers by Engineers. It represents the world's largest known compilation of Computer Aided Solutions for Engineers. **THE DESKTOP ENGINEER** includes a comprehensive User's Manual and Help System which provides the equations, solution methods and references for all analyses and is available for Windows 95/98/2000 and Windows NT. The intuitive user interface includes:

THE ANALYSIS MANAGER - Provides over 5,000 numerical and graphical solutions, required in structural/mechanical engineering applications, including geometric, static, dynamic and buckling analysis. These solutions, based on the theory of elasticity and strength of materials, have been researched from over 100 references and represent the theoretical efforts by recognized experts of the engineering profession.

THE SECTION MANAGER - Used to locate, view, create and edit section properties. Section property databases are provided for Steel, Aluminum and Wood sections; properties can be calculated for other common sections. Default section properties may be defined for use in the Analysis Manager. The Section Manager includes Thin Walled Sections which calculates 31 geometric section properties including 12 torsional properties, for arbitrary two-dimensional open cell, closed cell, single cell and multi-cell thin-walled cross sections.

THE MATERIAL MANAGER - Used to locate, view, create and edit material properties. Material property databases are provided for common structural materials, including Steel, Aluminum, Wood, Concrete and others. Default material properties may be defined for use in the Analysis Manager. A comprehensive Unit Conversion Utility is also provided.

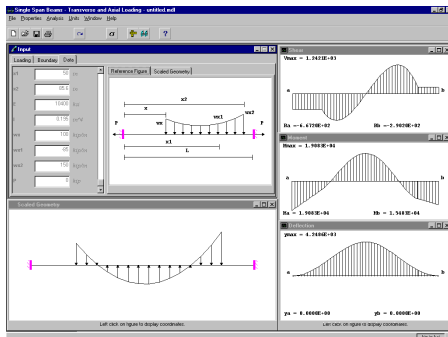
ANALYSIS MANAGER

STATIC ANALYSIS

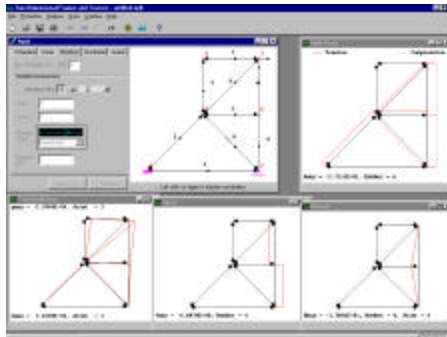
- Straight Beams
- Curved Beams
- Multi-Span Beams
- Cables
- Circular Arches
- Circular Rings

- Frames
- Trusses
- Grillages
- Foundations
- Solids
- Springs

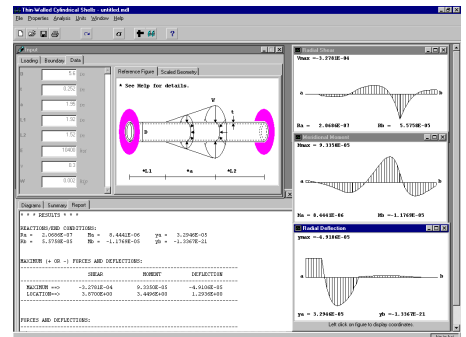
- Pressure Vessels
- Circular Plates
- Rectangular Plates
- Shells
- Shafts



Straight Beams



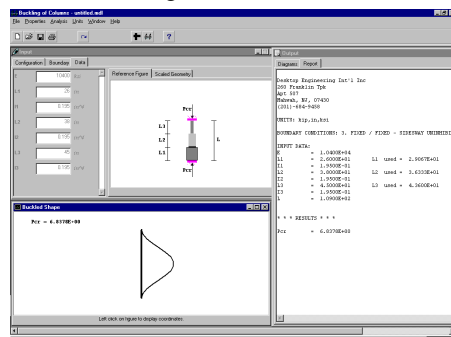
Frames



Shells

BUCKLING ANALYSIS

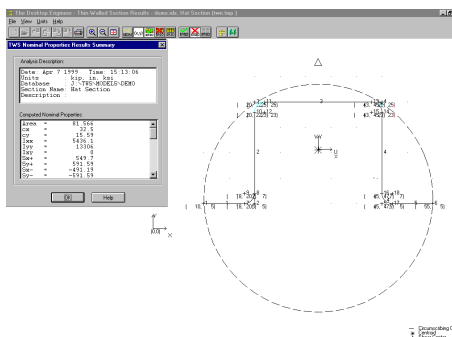
- Columns
- Circular Arches
- Circular Rings
- Beams
- Plates
- Shells



Columns

GEOMETRIC ANALYSIS

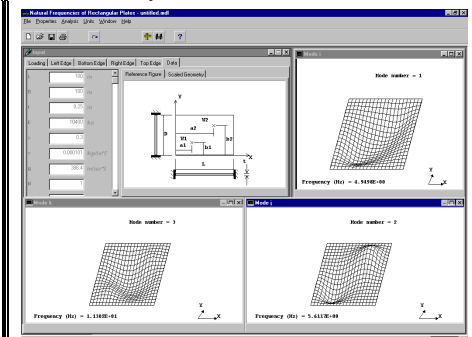
- Thin Walled Sections
- Common Sections
- Combined Sections
- Solids



Thin Walled Sections

DYNAMIC ANALYSIS

- Plates
- Disks
- Discrete Systems
- Beams
- Shafts



Plates

APPLICATIONS

STRUCTURAL ANALYSIS

- Bridges
- Buildings
- Foundations
- Off Shore Rigging
- Power Plants
- Smoke Stack
- Transmission Towers

MECHANICAL ANALYSIS

- Aircraft
- Automobiles
- Defense Missiles
- Equipment
- Pumps, Motors
- Piping Systems, Supports
- Satellites

OTHER APPLICATIONS

- Engineering Education
- Feasibility Studies
- Structural Failures
- Research & Development
- Stress Analysis
- Complex Analysis Verification
- Test Results Verification

BENEFITS

THE DESKTOP ENGINEER is a practical tool for the professional engineer, a teaching aid for the educator, an exciting means of learning for the student, a constructive time-saver for the researcher and a comprehensive guide for the architect and designer.

THE DESKTOP ENGINEER allows the user to concentrate on the engineering rather than the bookkeeping aspects of structural/mechanical calculations.

THE DESKTOP ENGINEER eliminates the time-consuming search for analysis and design equations by providing solutions to a large collection of such equations.

THE DESKTOP ENGINEER frees the user from lengthy calculations, reduces the risk of error and minimizes time and cost.

THE DESKTOP ENGINEER helps optimize the design process by providing easy parameter definition and modification.

THE DESKTOP ENGINEER is easy to use by inexperienced designers and engineers yet powerful enough to be preferred by experts.

THE DESKTOP ENGINEER will help you save time and minimize costs by assisting you with optimizing your design. It will also increase your confidence by helping reduce the risk of errors. More importantly, it will help you increase your productivity.

HOW TO ORDER

To download a free seven day evaluation copy visit our web site at www.deiusa.com.

To order **THE DESKTOP ENGINEER**, simply write or call:

DESKTOP ENGINEERING INT'L INC.

172 Broadway

Woodcliff Lake, NJ 07677-8077

DEI

DESKTOP ENGINEERING INT'L

Phone: (800) 888-8680

Phone: (201) 505-9200

Fax: (201) 505-1566

Email: salesinfo@deiusa.com